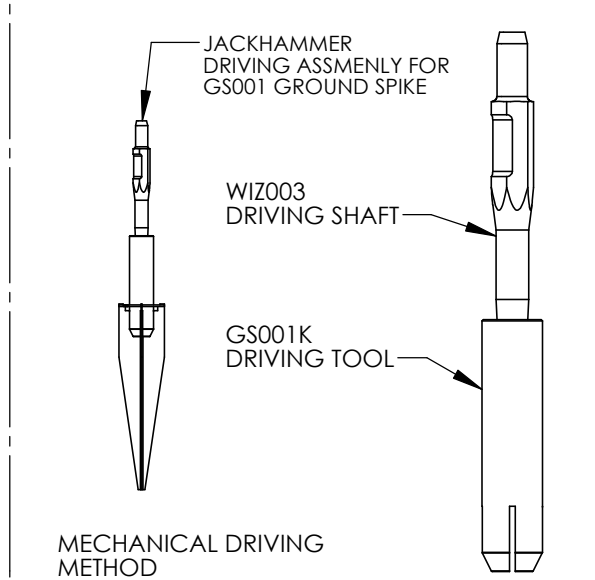
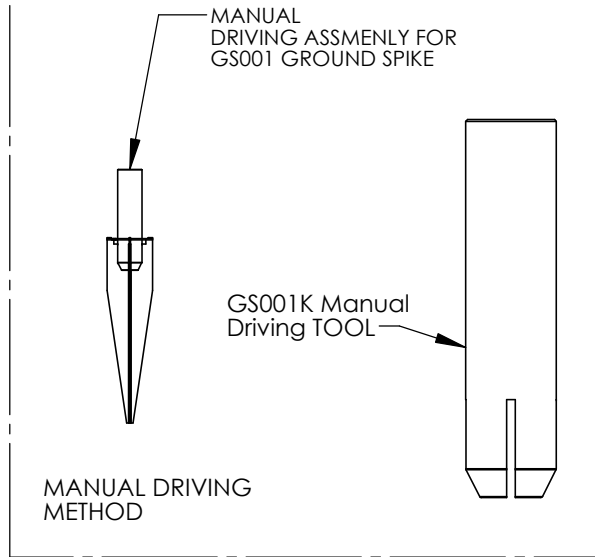
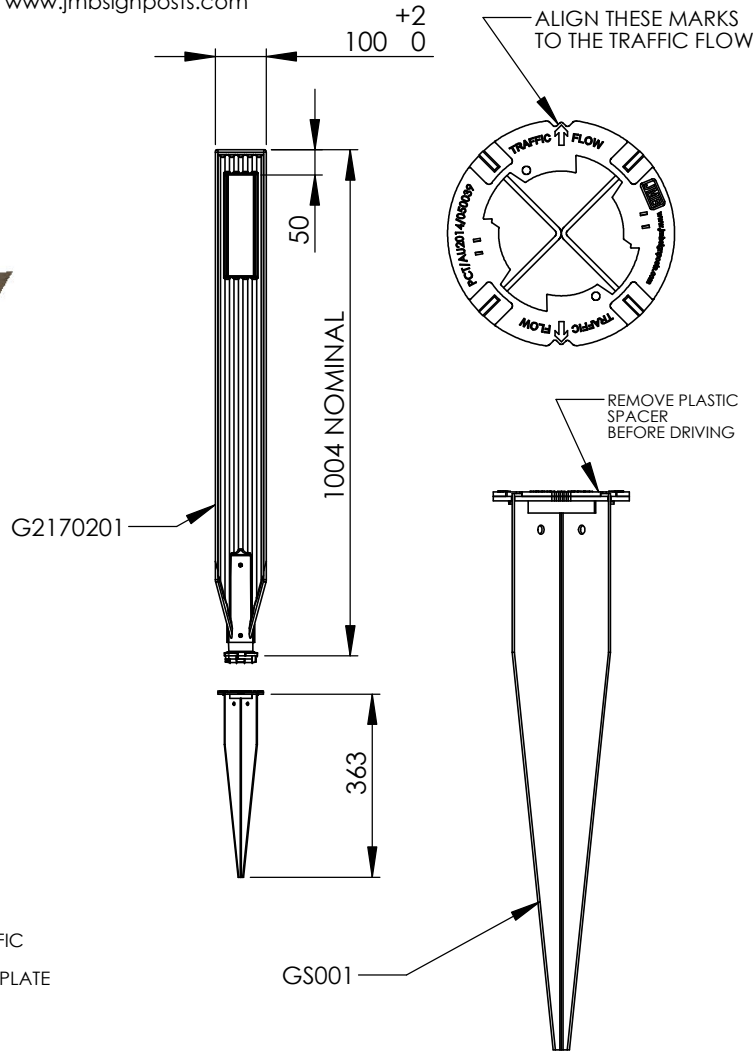
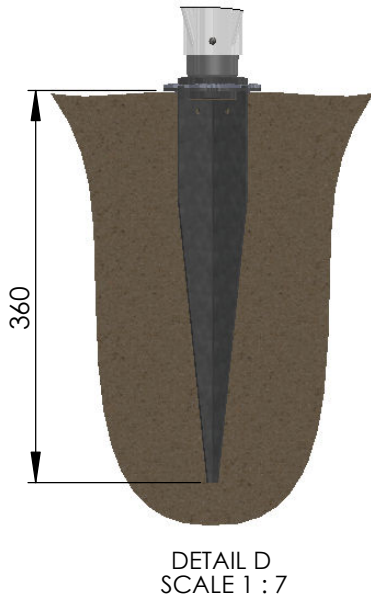
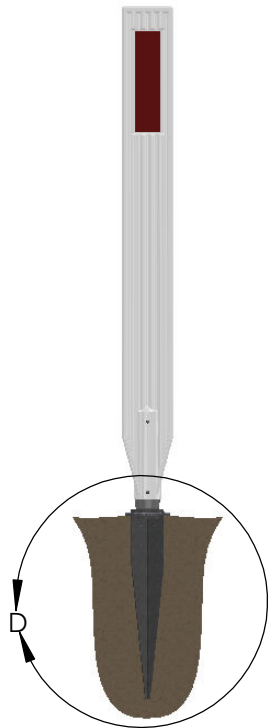


FULL INSTALLATION DETAILS CAN BE FOUND ON OUR JMB INFORMATION SHEET - "Spring Return Guide Post & Driven Ground Spike - Installation Instructions" available on the technical/Installations page at [www.jmb-signposts.com](http://www.jmb-signposts.com)

FULL REMOVAL DETAILS CAN BE FOUND ON OUR JMB INFORMATION SHEET - "Spring Return Guide Post & Driven Ground Spike - Removal Instructions" available on the technical/Installations page at [www.jmb-signposts.com](http://www.jmb-signposts.com)



**BRIEF GUIDLINES FOR FITTING THE "IN GROUND" SPRING RETURN GUIDE POSTS**

1. FIT THE GS00K DRIVING TOOL INTO THE GS001 GROUND SPIKE
2. POSITION THE SPIKE AND ORIENTATE THE DIRECTION ARROW TO THE TRAFFIC FLOW
3. MANUALLY OF MECHANICALLY DRIVE THE GROUND SPIKE UNTIL THE TOP PLATE IS APPROXIMATELY 2mm ABOVE THE GROUND
4. REMOVE THE DRIVING TOOL
5. FIT THE PLASTIC SPACER
6. INSERT THE "TURN AND LOCK" GUIDE POST
7. FIT THE LOCKING SCREW OR PIN IF REQUIRED

**NOTES:**

FURTHER INSTALLATION DETAILS CAN BE FOUND ON OUR JMB INFORMATION SHEET - "Spring Return Guide Post & Driven Ground Spike - Installation Instructions" available on the technical/Installations page at [www.jmb-signposts.com](http://www.jmb-signposts.com)

REMOVAL DETAILS CAN BE FOUND ON OUR JMB INFORMATION SHEET - "Spring Return Guide Post & Driven Ground Spike - Removal Instructions" available on the technical/Installations page at [www.jmb-signposts.com](http://www.jmb-signposts.com)

SCALE	NTS	ALL DIMENSIONS IN MILLIMETERS	QUANTITY	1	DO NOT SCALE IF IN DOUBT ASK
CHECKED	ICB		MATERIAL	NA	
LAST UPDATE	13/05/2016	FINISH	NA	DESCRIPTION SPRING RETURN GUIDE POSTS TECHNICAL INFORMATION SHEET 1 GENERAL INGROUND INSTALLATION INFORMATION	
DRAWN	Ian Brodie				
DATE	07/07/2014				

**JMB MANUFACTURING PTY LTD**

24 BRIGID BOULEVARD  
 AUSTINE HEIGHTS  
 QLD AUSTRALIA 4300  
 PH. 07 3814 7882  
 FAX. 07 3814 7884



ACAD FILE NAME	SH. 3
Generation 2 Products -Technical Information	
Part: SRGP Tech Drawing Assy 1	OF 5